

CSAC





WHO ARE WE 我们是谁

WHAT DO WE DO 我们做什么

WHAT DO WE CARE ABOUT 我们关心什么

SOLUTIONS 解决方案

TECHNICAL PARAMETERS 技术参数

MESSAGE FROM THE CHAIRMAN 董事长致辞

WHO ARE WE

我们是谁



致力打造船舶和海洋平台的生命安全索，
成为全球锚链和系泊系统的行业领导者

Committed to creating lifeline for ships and offshore platforms, becoming a global industry leader in anchor chains and mooring systems.



创新变革者

Innovative reformer

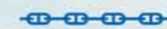


锚链行业最年轻进取的管理团队，携手有三十年以上顶尖行业经验的研发及生产管理团队，共同投身于船舶及海洋装备制造业，新理念、高起点、向未来，持续在公司战略、服务理念、组织架构、流程制度、生产设备、制造工艺、产品质量、产品研发等各个方面进行创新和变革，自成立以来连年销售额同比涨幅超过50%，船用锚链年销量已稳居全球第二，创造行业瞩目的“中运速度”。

The youngest entrepreneur in chain manufacturing industry together with well-experienced R&D and production team, are committed to the career of marine equipment manufacturing with innovative ideas, high starting point, and future-oriented approach. CSAC is focusing on continuous improvement in company's strategy, structure, process, equipment, technic, R&D most importantly, the quality of our products and service. Since establishment, CSAC's sales volume have increased by more than 50% year-on-year. Now our annual sales volume of ship anchor chains has firmly ranked second in the world, creating the "CSAC fast growing legend" that attracts attention in the industry.

实力缔造者

Strength founder



深耕锚链、系泊链制造，自研自产链径12.5MM~210MM的船用锚链、海洋系泊链、锚及铸件、铸钢配重块、深海混凝土预制件、钢制系泊浮筒等系泊产品，在中国上海、中国青岛及新加坡拥有三大客户服务中心，在中国江苏拥有两大自动化生产基地，25条生产线，厂区面积共计26万平方米，锚链、系泊链及其他链条年产能达50万吨，其中位于江苏宿迁的生产基地单体产能全球领先。

Deeply engaged in chain manufacturing, we produce full range of ship anchor chains and offshore mooring chains from 12.5mm up to 210mm, with self-developed technics. CSAC also provides anchors and castings, cast steel sinkers, deep-sea concrete prefabricated parts, steel mooring buoys and other mooring products. CSAC has three customer service centers in Shanghai, Qingdao, and Singapore, and two automated production bases in Jiangsu, China, with 25 production lines and a total factory area of 260,000 square meters. The annual production capacity reaches 500,000 tons for anchor, mooring and other chains, of which the production base in Suqian, Jiangsu leads the world in single unit production capacity.





中运宿迁厂房鸟瞰图
CSAC Suqian factory aerial view

WHAT DO WE DO

我们做什么



中运锚链已获得了行业内众多知名客户与合作伙伴的高度认可，代表客户包括：

CSAC has been highly recognized by many well-known customers and partners in the industry. Representative customers include:



a. 船用锚链 Ship anchor chain

b. 海洋系泊链 Offshore mooring chain



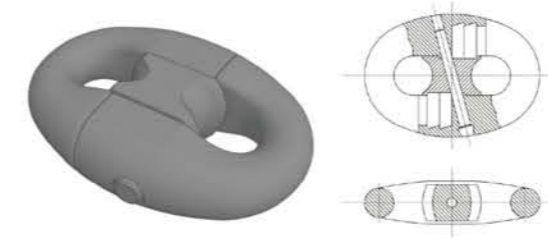
产品 Product	有档锚链 Stud anchor chain	无档锚链 Studless anchor chain
等级 Grade	M2,M3,M4	M2,M3,M4
规格 Size	12.5-210 mm	12.5-210 mm
证书 Certificate	ABS,BV,CCS,DNV,IRS,KR,LR,NK, RINA,RMRS	

产品 Product	有档系泊链 Stud anchor chain	无档系泊链 Studless anchor chain
等级 Grade	R3, R3S, R4, R4S, R5	R3, R3S, R4, R4S, R5
规格 Size	28-210 mm	28-210 mm
证书 Certificate	ABS,BV,CCS,DNV,KR,LR,NK	

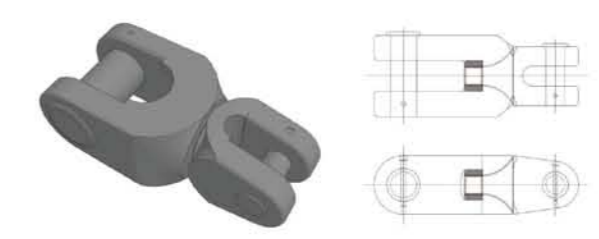
c-1. 附件 Accessories

产品 Product	船用附件 Accessories for ship mooring chain	系泊用附件 Accessories for offshore platform mooring chain
等级 Grade	M2, M3	R3, R3S, R4, R4S, R5
规格 Size	12.5-210 mm	28-210 mm
证书 Certificate	ABS, BV, CCS, DNV, IRS, KR, LR, NK, RINA, RMRS	

肯特卸扣 Kenter shackle



A型转环卸扣A.SW.S Swivel shackle type A



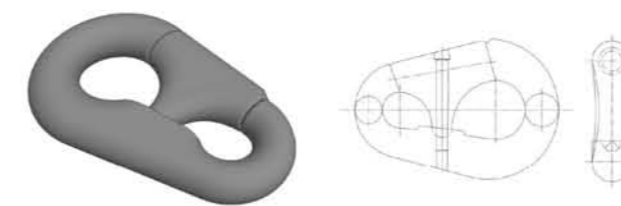
B型转环卸扣B.SW.S Swivel shackle type B



梨形环 Pear link



梨形卸扣 Pear shackle



转环 Swivel

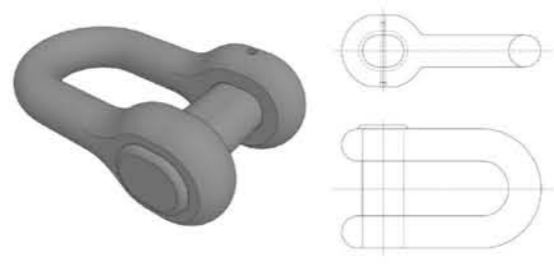


ONE CALL WE DO IT ALL

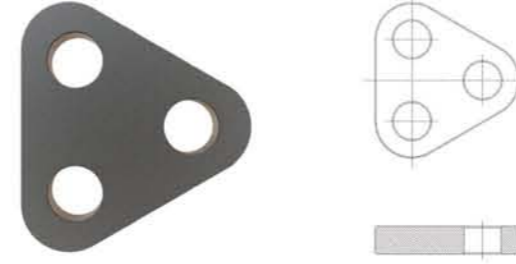
连接卸扣JS Joining shackle



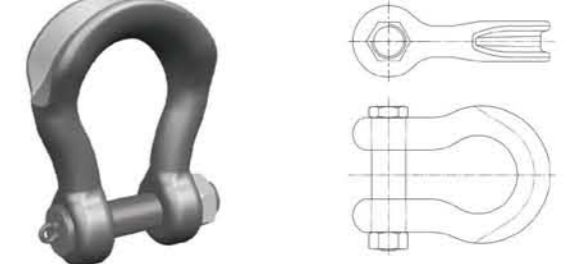
末端卸扣ES End shackle



三眼板 triangle plate



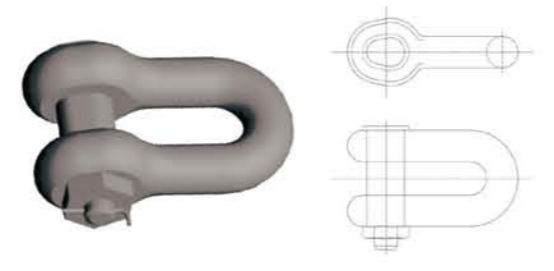
宽体卸扣 Wide body shackle



末端连接卸扣LTM-EJS LTM End joining shackle



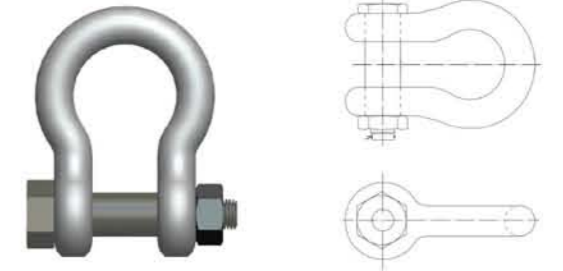
连接卸扣LTM-JS LTM Joining shackle



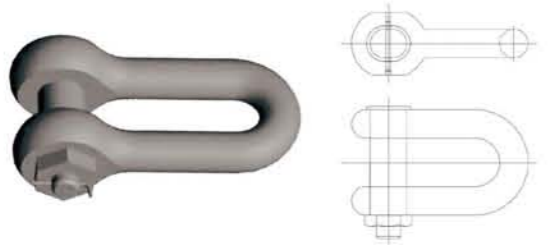
C型卸扣 C type shackle



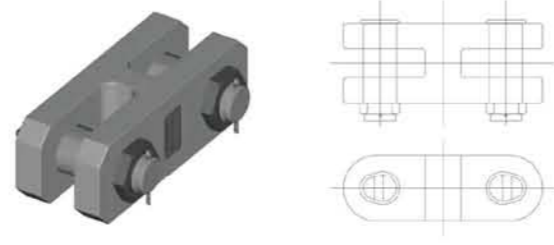
G-2130 G-2130 shackle



末端卸扣LTM-ES LTM End shackle



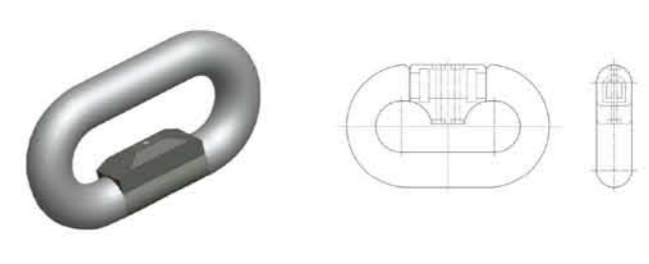
H型卸扣 H shackle



G-2150 G-2150 shackle

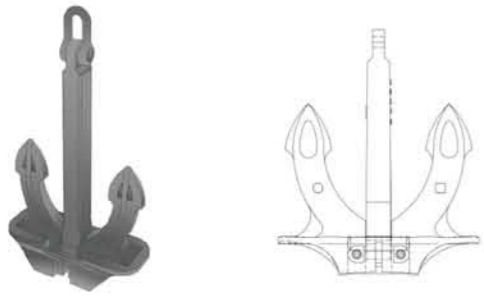


安装环 SLC

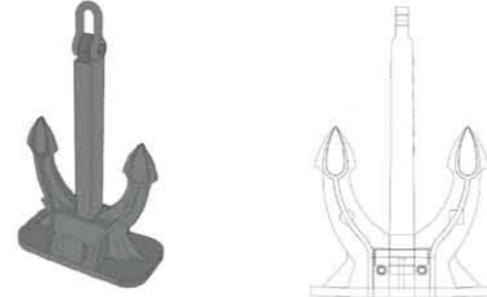


C-2. 锚及铸造件、浮筒 Anchors and castings, buoys

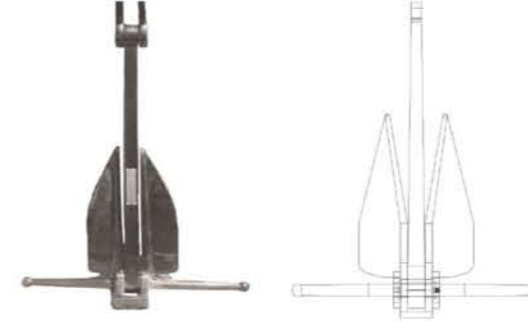
霍尔锚 Hall anchor



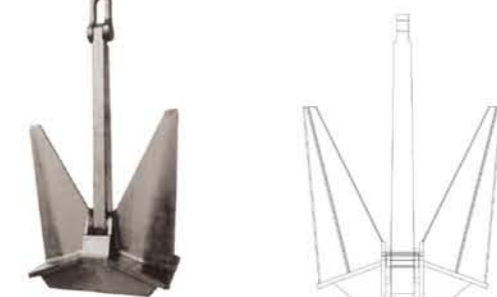
斯贝克锚 Spek anchor



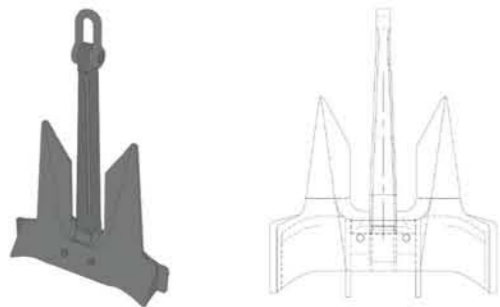
丹福尔锚 Danforth Anchor



波尔锚 Pool anchor



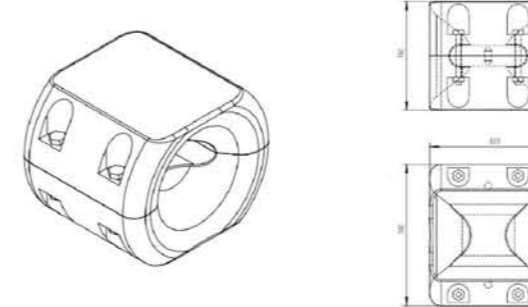
AC-14大抓力锚 High holding power anchor



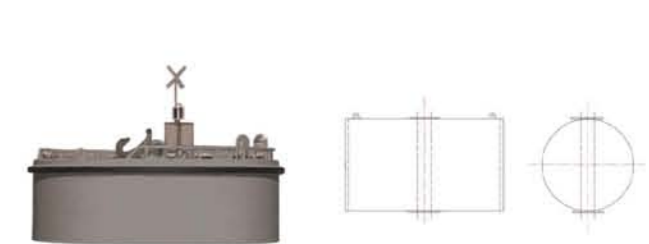
海军锚 Navy anchor



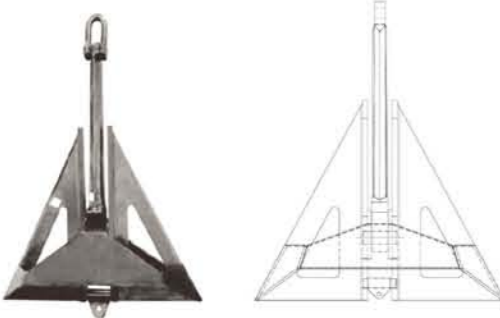
铸钢配重沉石 Concrete sinker



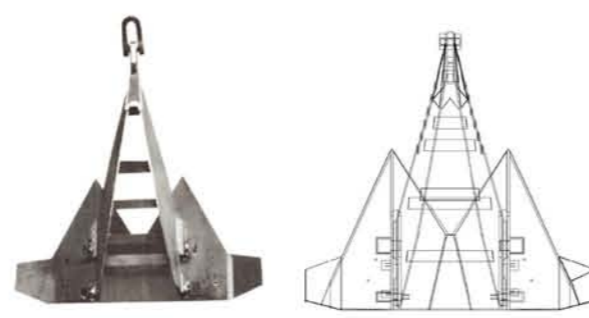
浮筒 Buoy



Delta锚 Delta anchor



MK5锚 MK5 anchor



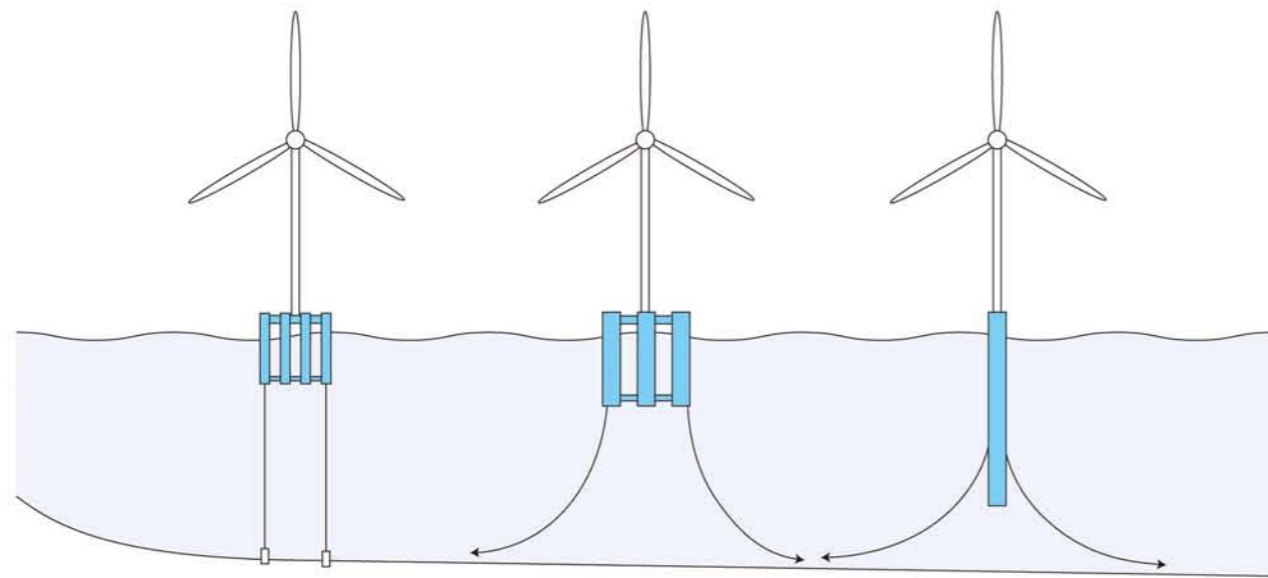
混凝土沉石 Concrete sinker



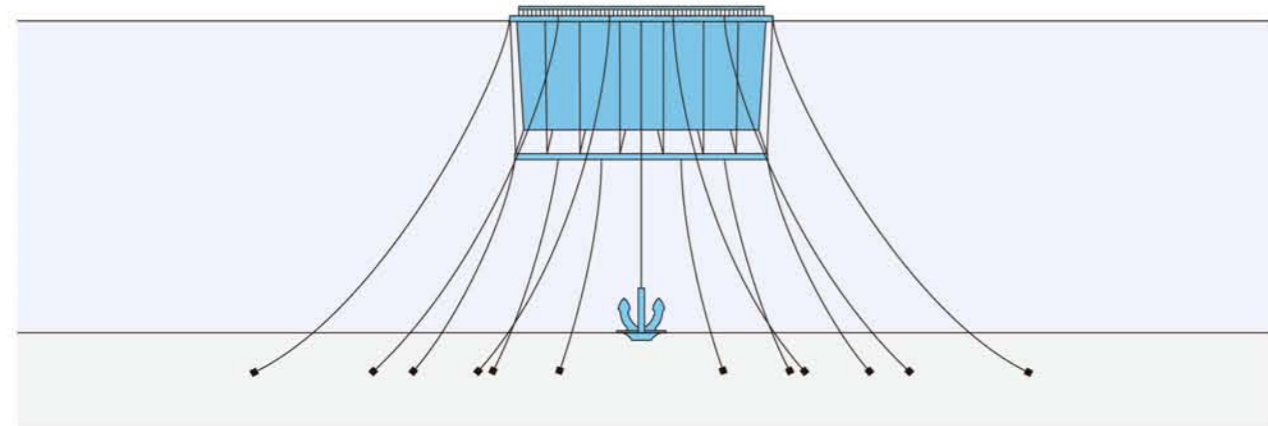
海工钢丝绳 Offshore wire rope



d. 系泊系统设计、供应及安装 Mooring system design, supply and installation



深远海风电
Floating offshore wind platforms



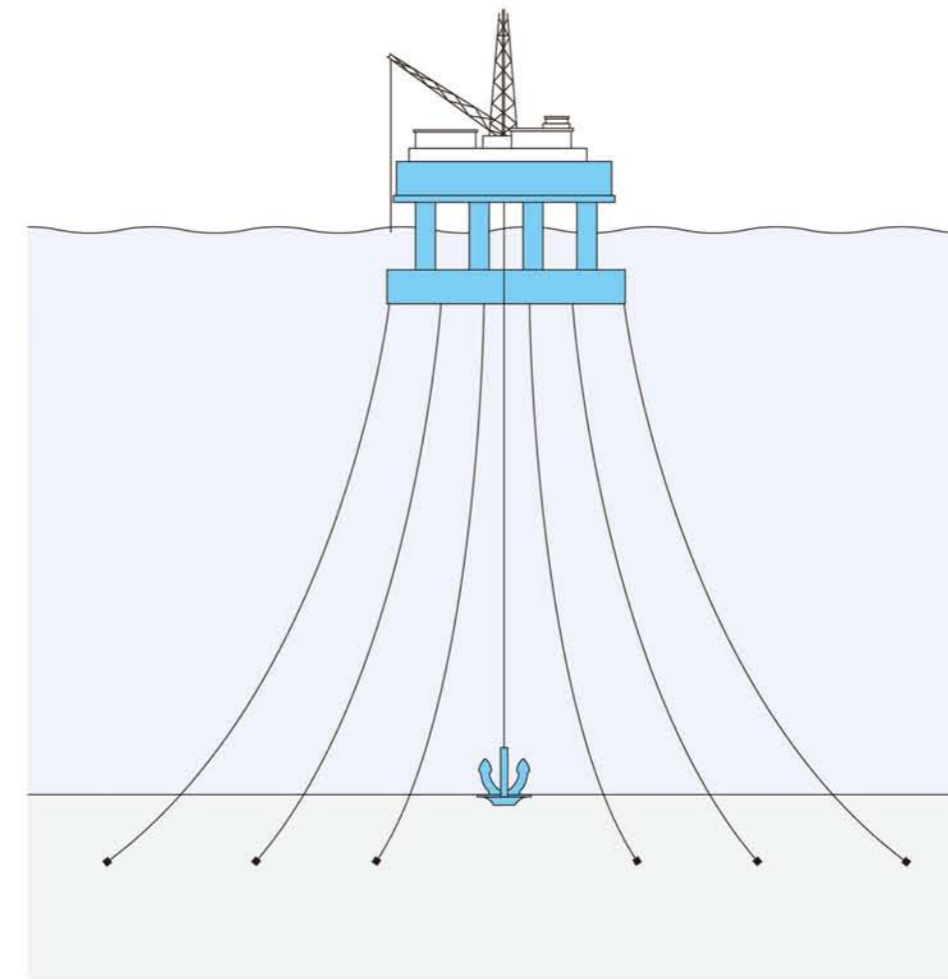
深远海养殖
Deep Sea Fish Farms

中运锚链在上海成立了深海浮式风力发电和深远海渔业养殖系泊系统设计、系泊系统产品供应、系泊系统安装服务的海工事业部，专业为客户提供从系泊系统产品的设计、产品供应、安装服务于一体的站式服务。

公司除了自研生产的系泊链、锚、配重块、系泊浮筒等产品外，还与国际知名钢丝绳、缆绳厂家及国际顶尖海工系泊系统设计和实施公司建立战略合作，真正以客户为中心，在确保系泊安全的前提下，优化设计方案使客户成本达到最优。

CSAC establishes shanghai mooring industry division which provides floating wind power farms and fish farms mooring system design, supply, and installation one-stop services.

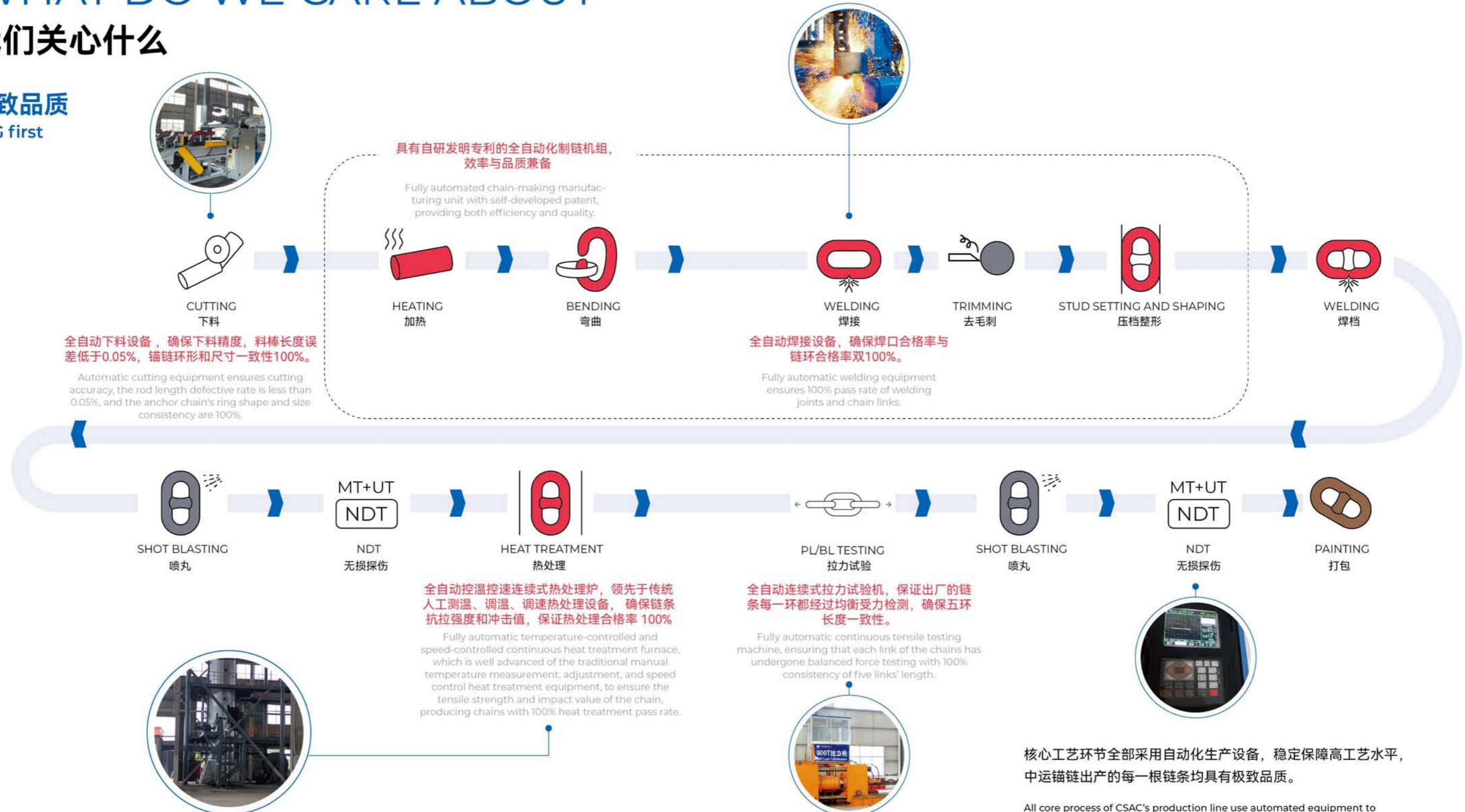
In addition to self-developed and produced mooring chain, anchor, steel sinker, mooring buoy and other products, CSAC also established strategic cooperation with internationally renowned steel wire rope, mooring rope manufacturers and international top offshore mooring system design and implementation companies. Together we promise solutions both of high-level safety and cost-effective for our customers.



海上油气钻井平台
Offshore drilling platforms

WHAT DO WE CARE ABOUT 我们关心什么

极致品质
ESG first



极致服务

Dedicated Service



业内首推2-8年超长质保期承诺，质保期内免费换新；
 行业专家团队提供7*24小时不间断服务；
 科学管理、科学备货，常用规格现货发运，特殊规格 1-3天交货承诺；
 建立稳定快速的全球物流网络体系，为客户提供全球港口安装服务；
 以客户为中心，追求客户利益最大化、助力客户降本增效是中运的服务目标；
 以客户需求为导向，全力满足客户所有合理需求，将为客户提供最优质的服务落实融入每一个中运人的血液，让优质的服务成为中运名片。

Extra-long warranty commitment of 2-8 years, with free replacement during the warranty period;

Our expert team provides 7*24 hours service;

Scientific production management together with scientific inventory control, we can guarantee spot shipment of products with regular diameters, 1-3 day delivery commitment with special diameters;

Establish a fast and stable global logistics network to provide customers with global on-site installation and replacement services;

Being customer-centric, pursuing maximization of customer interests and helping customers reduce costs and increase efficiency are CSAC's service goals;

Oriented by customer needs, we strive to meet all reasonable needs of customers, and will provide customers with the best quality services and implement the ideal into the blood of every employees, making high-quality services the CSAC's business card.



研发创新

R & D capabilities

旗下拥有研究级高级工程师、高级工程师、研究员为骨干的技术团队30余人，与中科院东海所、新加坡南洋理工、山东海洋集团、江苏科技大学和湖北工业大学国内顶尖的院校和研发单位联合成立研发中心，主导制定和参与制定国家及行业标准36件，率先研发出了M4级船用锚链，即将推出全球领先的R7级别海洋系泊链。

CSAC has a technical team of more than 30 research-level senior engineers and researchers. CSAC has established R&D cooperation with the Institute of East China Sea, Chinese Academy of Sciences, Nanyang Technological Institute of Singapore, Shandong Ocean Group, Jiangsu University of Science and Technology, and Hubei University of Technology. CSAC has led and participated in the formulation of 36 national and industry standards. CSAC also has taken the lead in developing the M4-class marine anchor chain and will soon launch the world's leading R7-class mooring chain.



人才至上 Talent First

人才是中运的原动力，我们致力于为全体员工提供安全健康的工作环境，公平公正的发展空间，并为员工成长长期持续投入，构建学习型组织。

Talent is the driving force of CSAC. We are committed to providing all employees with a safe and healthy working environment, a fair and just development space, and long-term continuous investment in employee growth to build a learning organization.



Fulfill social responsibilities and actively carry out social welfare activities;

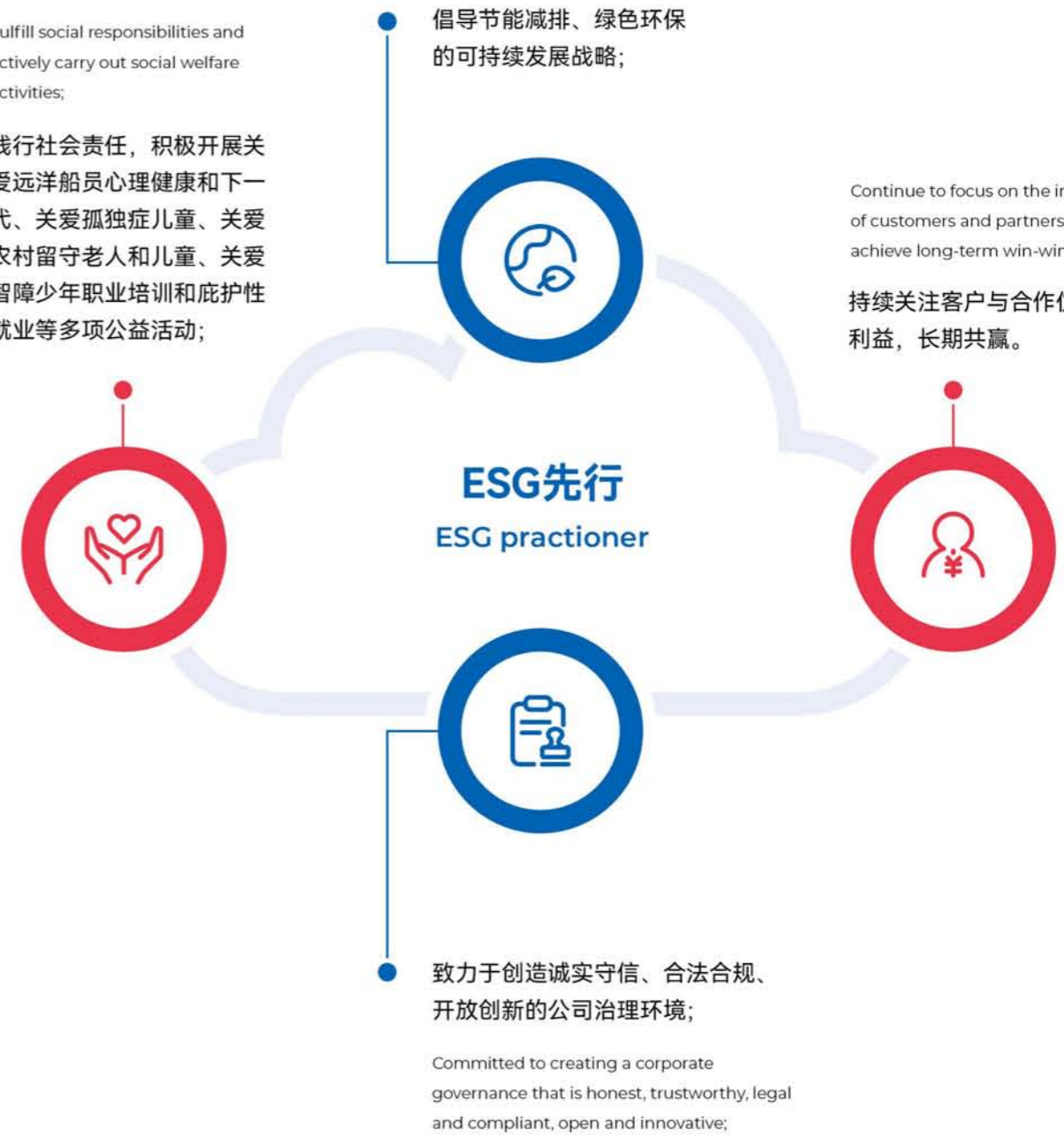
践行社会责任，积极开展关爱远洋船员心理健康和下一代、关爱孤独症儿童、关爱农村留守老人和儿童、关爱智障少年职业培训和庇护性就业等多项公益活动；

Advocate sustainable development strategies of energy conservation, emission reduction, and green environmental protection;

倡导节能减排、绿色环保的可持续发展战略；

Continue to focus on the interests of customers and partners to achieve long-term win-win results.

持续关注客户与合作伙伴利益，长期共赢。



SOLUTIONS

解决方案

中运承诺

CSAC promise

船舶制造 Shipbuilding

客户至上、反卡特尔，坚持市场化定价、极致品质、严格交期、高于国家标准和船级社规范的内控标准、超长质保。

Customer first, anti-trust organization, ultimate quality, strict delivery time, internal control standards higher than national standards and classification society regulations, and long warranty. Anti-cartel and adhere to market-based pricing.



船舶维修 Ship Maintenance

7*24小时响应、1-3天极致交期、全球网络安装服务、超长质保。

7*24 hours response, 1-3 days of extreme delivery period, global installation services, and extra-long warranty.

海洋工程 Offshore Engineering

极致品质、超长质保、行业领先的系泊系统设计与安装服务（利用自身的设计及产品优势，真正站在客户角度考虑，提供在确保安全的前提下，成本最优）、一站式系泊系统供应商（提供产品设计、产品供应及安装维护服务）。

Ultimate quality, long warranty, industry-leading mooring system design and installation services (based on CSAC's own design and product advantages, we truly consider from customer's perspective and provide most cost-effective solution), one-stop mooring system supplier providing product design, supply, installation services.



深海渔业养殖
Pelagic deep sea culture



浮式风力发电
Ocean power generation



海洋钻井平台
Offshore drilling platform

TECHNICAL PARAMETERS

技术参数

船用有档锚链 Stud anchor chain

标准:	LR、BV、CCS				NK、KR			
	AM2		AM3		AM2		AM3	
	拉力负荷 kN	破断负荷 kN	拉力负荷 kN	破断负荷 kN	拉力负荷 kN	破断负荷 kN	拉力负荷 kN	破断负荷 kN
公称规格d mm								
12.5	66	92	92	132	66	92	92	132
14	82	115	115	165	82	115	115	165
16	107	150	150	214	107	150	150	216
17.5	128	179	179	256	127	179	179	256
19	150	211	211	301	150	211	211	301
20.5	175	244	244	349	175	244	244	349
22	201	281	281	401	200	280	280	401
24	238	333	333	475	237	332	332	476
26	278	389	389	556	278	389	389	556
28	321	450	450	642	321	449	449	642
30	367	514	514	734	368	514	514	735
32	416	583	583	832	417	583	583	833
34	468	655	655	936	468	655	655	937
36	523	732	732	1045	523	732	732	1050
38	580	812	812	1160	581	812	812	1160
40	640	896	896	1280	640	896	896	1280
42	703	984	984	1406	703	981	981	1400
44	769	1076	1076	1537	769	1080	1080	1540
46	837	1171	1171	1673	837	1170	1170	1680
48	908	1270	1270	1814	908	1270	1270	1810
50	981	1373	1373	1961	981	1370	1370	1960
52	1057	1479	1479	2113	1060	1480	1480	2110
54	1135	1589	1589	2269	1140	1590	1590	2270
56	1216	1702	1702	2430	1220	1710	1710	2430
58	1299	1818	1818	2597	1290	1810	1810	2600
60	1384	1938	1938	2767	1380	1940	1940	2770
62	1472	2060	2060	2943	1470	2060	2060	2940
64	1562	2187	2187	3123	1560	2190	2190	3130
66	1655	2316	2316	3308	1660	2310	2310	3300
68	1749	2448	2448	3496	1750	2450	2450	3500
70	1846	2583	2583	3690	1840	2580	2580	3690
73	1995	2792	2792	3988	1990	2790	2790	3990
76	2149	3007	3007	4295	2150	3010	3010	4300
78	2254	3154	3154	4505	2260	3160	3160	4500
81	2415	3380	3380	4827	2410	3380	3380	4820
84	2580	3612	3612	5158	2580	3610	3610	5160
87	2750	3849	3849	5498	2750	3850	3850	5500
90	2924	4093	4093	5845	2920	4090	4090	5840
92	3042	4258	4258	6081	3040	4260	4260	6080
95	3223	4510	4510	6442	3230	4510	4510	6440
97	3345	4682	4682	6687	3340	4680	4680	6690
100	3532	4943	4943	7060	3530	4940	4940	7060
102	3658	5120	5120	7312	3660	5120	5120	7320
105	3850	5389	5389	7697	3850	5390	5390	7700
107	3980	5571	5571	7957	3980	5570	5570	7960
111	4245	5941	5941	8486	4250	5940	5940	8480
114	4447	6224	6224	8889	4440	6230	6230	8890
117	4652	6511	6511	9299	4650	6510	6510	9300
120	4859	6801	6801	9714	4850	6810	6810	9720
122	4999	6997	6997	9994	5000	7000	7000	9990
124	5141	7195	7195	10276	5140	7200	7200	10280
127	5354	7494	7494	10703	5350	7490	7490	10710
130	5571	7796	7796	11135	5570	7800	7800	11140
132	5716	8000	8000	11426	5720	8000	8000	11420
137	6083	8514	8514	12161	6080	8510	8510	12160
142	6456	9036	9036	12906	6450	9030	9030	12910
147	6834	9565	9565	13662	6840	9560	9560	13660
152	7217	10100	10100	14426	7220	10100	10100	14430
157	7602	10640	10640	15197	7600	10640	10640	15200
162	7991	11185	11185	15975	7990	11170	11170	15970

ABS				国标			
AM2		AM3		AM2		AM3	
拉力负荷 kN	破断负荷 kN	拉力负荷 kN	破断负荷 kN	拉力负荷 kN	破断负荷 kN	拉力负荷 kN	破断负荷 kN
66	92	92	132	66	92	92	132
82	116	116	165	82	116	116	165
107	150	150	216	107	150	150	216
128	180	180	261	127	179	179	256
151	211	211	301	150	211	211	301
175	244	244	349	175	244	244	349
200	281	281	401	200	280	280	401
237	332	332	476	237	330	330	476
278	389	389	556	278	389	389	556
321	449	449	642	321	449	449	642
368	514	514	735	368	514	514	735
417	583	583	833	417	583	583	833
468	655	655	937	468	655	655	937
523	732	732	1049	523	732	732	1050
581	812	812	1157	581	812	812	1160
640	896	896	1285	640	895	895	1280
703	981	981	1402	703	981	981	1400
769	1079	1079	1540	769	1080	1080	1540
837	1167	1167	1677	837	1170	1170	1680
908	1275	1275	1814	908	1270	1270	1810
981	1373	1373	1961	981	1370	1370	1960
1059	1481	1481	2108	1060	1480	1480	2110
1138	1589	1589	2265	1140	1590	1590	2270
1216	1706	1706	2432	1220	1710	1710	2430
1295	1814	1814	2599	1290	1810	1810	2600
1383	1942	1942	2766	1380	1940	1940	2770
1471	2059	2059	2942	1470	2060	2060	2940
1559	2187	2187	3128	1560	2190	2190	3130
1657	2314	2314	3305	1660	2310	2310	3300
1746	2452	2452	3501	1750	2450	2450	3500
1844	2579	2579	3687	1840	2580	2580	3690
1991	2795	2795	3991	1990	2790	2790	3990
2148	3011	3011	4295	2150	3010	3010	4300
2256	3158	3158	4501	2260	3160	3160	4500
2412	3383	3383	4825	2410	3380	3380	4820
2579	3609	3609	5158	2580	3610	3610	5160
2746	3854	3854	5502	2750	3850	3850	5500
2922	4089	4089	5845	2920	4090	4090	5840
3040	4256	4256	6080	3040	4260	4260	6080
3226	4511	4511	6443	3230	4510	4510	6440
3344	4678	4678	6688	3340	4680	4680	6690
3530	4943	4943	7061	3530	4940	4940	7060
3658	5119	5119	7316	3660	5120	5120	7320
3854	5394	5394	7698	3850	5390	5390	7700
3982	5570	5570	7963	3980	5570	5570	7960
4246	5943	5943	8483	4250	5940	5940	8480
4442	6227	6227	8895	4440	6230	6230	8890
4648	6512	6512	9297	4650	6510	6510	9300
4854	6806	6806	9718	4850	6810	6810	9720
5001	7002	7002	9993	5000	7000	7000	9990
5139	7198	7198	10277	5140	7200	7200	10280
5354	7492	7492	10709	5350	7490	7490	10710
5570	7796	7796	11140	5570	7800	7800	11140
5717	8002	8002	11425	5720	8000	8000	11420
6080	8512	8512	12160	6080	8510	8510	12160
6453	9032	9032	12906	6450	9030	9030	12910
6835	9562	9562	13661	6840	9560	9560	13660
7218	10101	10101	14426	7220	10100	10100	14430
7600	10640	10640	15200	7600	10640	10640	15200
8002	11199	11199	15995	7990	11180	11180	15980

船用无档锚链 Studless anchor chain

标准 公称规格d mm	国际无档			
	BM2		BM3	
	拉力负荷 kN	破断负荷 kN	拉力负荷 kN	破断负荷 kN
12.5	41.2	82.6	57.2	114.4
14	51.0	101.9	71.5	143.1
16	66.2	132.3	92.4	184.8
17.5	78.9	157.8	110.6	221.1
19	93.6	187.2	130.3	260.6
20.5	108.6	217.3	151.7	303.4
22	125.4	250.9	174.7	349.4
24	149.9	298.9	207.9	415.8
26	175.4	350.8	244.0	488.0
28	203.8	406.7	283.0	566.0
30	234.2	467.5	324.9	649.8
32	265.6	531.2	369.6	739.3
34	299.9	599.8	417.3	834.6
36	336.1	672.3	467.8	935.7
38	374.4	748.7	521.3	1042.5
40	414.5	829.1	577.6	1155.2
42	457.7	915.3	636.8	1273.6
44	502.7	999.6	698.9	1397.8
46	548.8	1097.6	763.9	1527.8
48	597.8	1195.6	831.7	1663.5
50	648.8	1293.6	902.5	1805.0
52	696.8	1393.6	972.2	1944.5
54	748.4	1496.8	1044.3	2088.5
56	801.6	1603.2	1118.5	2237.0
58	856.4	1712.8	1195.0	2390.0
60	912.8	1825.5	1273.6	2547.2
62	970.7	1941.3	1354.4	2708.8
64	1030.1	2060.1	1437.3	2874.5
66	1090.9	2181.8	1522.2	3044.4
68	1153.3	2306.5	1609.2	3218.3
70	1217.0	2434.0	1698.2	3396.3
73	1315.3	2630.6	1835.3	3670.6
76	1416.7	2833.3	1976.7	3953.4
78	1485.9	2971.8	2073.3	4146.7
81	1592.2	3184.4	2221.7	4443.4
84	1701.4	3402.8	2374.0	4748.0
87	1813.3	3626.7	2530.2	5060.4
90	1928.0	3856.0	2690.2	5380.3
92	2005.8	4011.6	2798.9	5597.8
95	2125.1	4250.3	2964.8	5929.7
97	2205.6	4411.2	3077.4	6154.8
100	2328.9	4657.8	3249.1	6488.1
102	2412.0	4824.0	3365.3	6730.6
105	2538.6	5077.1	3542.3	7084.6
107	2624.3	5248.6	3662.0	7323.9
111	2799.0	5598.1	3905.3	7810.6
114	2932.2	5864.4	4091.1	8182.2
117	3067.4	6134.8	4279.6	8559.2
120	3203.9	6407.8	4470.7	8941.4
122	3296.2	6592.4	4599.5	9198.9
124	3389.8	6779.6	4729.3	9458.6
127	3530.3	7060.5	4926.0	9851.9
130	3673.4	7346.7	5124.8	10249.7
132	3769.0	7537.9	5258.6	10517.2
137	4010.9	8021.9	5596.7	11193.5
142	4256.9	8513.8	5939.9	11879.8
147	4506.1	9012.3	6287.6	12575.2
152	4758.7	9517.3	6639.2	13278.4
157	5012.5	10025.1	6994.2	13988.3
162	5269.0	10538.1	7352.0	14704.0

船用有档锚链 Stud anchor chain

标准 公称规格d in	英制			
	Grade2		Grade3	
	拉力负荷 lbf	破断负荷 lbf	拉力负荷 lbf	破断负荷 lbf
1/2	15300	21400	21400	30600
9/16	19300	27000	27000	38600
5/8	23700	33200	33200	47500
11/16	28600	40100	40100	57300
3/4	34000	47600	47600	68000
13/16	39800	55700	55700	79500
7/8	46000	64400	64400	91800
15/16	52600	73700	73700	105000
1	59700	83600	83600	119500
1 1/16	67200	94100	94100	135000
1 1/8	75000	105000	105000	150000
1 3/16	83400	116500	116500	167000
1 1/4	83400	129000	129000	184000
1 5/16	101500	142000	142000	203000
1 3/8	111000	155000	155000	222000
1 7/16	120500	169000	169000	241000
1 1/2	131000	183500	183500	262000
1 9/16	142000	198500	198500	284000
1 5/8	153000	214000	214000	306000
1 11/16	166500	229000	229000	327000
1 3/4	176000	247000	247000	352000
1 13/16	188500	264000	264000	377000
1 7/8	201000	281000	281000	402000
1 15/16	214000	299000	299000	427000
2	227000	318000	318000	454000
2 1/16	241000	337000	337000	482000
2 1/8	255000	357000	357000	510000
2 3/16	269000	377000	377000	538000
2 1/4	284000	396000	396000	570000
2 5/16	299000	418000	418000	598000
2 3/8	314000	440000	440000	628000
2 7/16	330000	462000	462000	660000
2 1/2	346000	484000	484000	692000
2 9/16	363000	507000	507000	726000
2 5/8	379000	530000	530000	758000
2 11/16	396000	554000	554000	792000
2 3/4	413000	578000	578000	826000
2 13/16	431000	603000	603000	861000
2 7/8	449000	628000	628000	897000
2 15/16	467000	654000	654000	934000
3	485000	679000	679000	970000
3 1/16	504000	705000	705000	1008000
3 1/8	523000	732000	732000	1046000
3 3/16	542000	759000	759000	1084000
3 1/4	562000	787000	787000	1124000
3 5/16	582000	814000	814000	1163000
3 3/8	602000	843000	843000	1204000
3 7/16	622000	871000	871000	1244000
3 1/2	643000	900000	900000	1285000
3 9/16	664000	929000	929000	1327000
3 5/8	685000	958000	958000	1369000
3 3/4	728000	1019000	1019000	1455000
3 7/8	772000	1080000	1080000	1543000
3 15/16	794000	1111000	1111000	1587000
4	816000	1143000	1143000	1632000
4 1/8	862000	1207000	1207000	1724000
4 1/4	908000	1272000	1272000	1817000
4 3/8	956000	1338000	1338000	1911000
4 1/2	1004000	1405000	1405000	2008000
4 5/8	1053000	1474000	1474000	2105000
4 3/4	1102000	1543000	1543000	2204000
4 7/8	1153000	1613000	1613000	2305000
5	1203000	1685000	1685000	2407000
5 1/8	1255000	1757000	1757000	2509000
5 3/8	1359000	1903000	1903000	2718000
5 5/8	1466000	2052000	2052000	2932000
5 3/4	1520000	2128000	2128000	3039000
6	1629000	2280000	2280000	3257000
6 1/8	1684000	2357000	2357000	3367000
6 3/8	1795000	2512000	2512000	3589000

海洋系泊链 Mooring chain

公称规格d mm	R3		R3S		
	拉力负荷 kN	破断负荷 kN	拉力负荷 kN		破断负荷 kN
	有档/无档		有档	无档	
26	419	632	510	493	706
28	485	730	589	570	815
30	554	835	674	651	932
32	628	946	764	738	1057
34	706	1064	859	830	1188
36	789	1188	959	927	1327
38	875	1319	1065	1029	1473
40	966	1456	1175	1136	1625
42	1061	1599	1290	1247	1785
44	1160	1748	1411	1364	1951
46	1263	1903	1536	1485	2124
48	1369	2063	1666	1610	2304
50	1480	2230	1800	1740	2490
52	1594	2402	1939	1874	2682
54	1712	2580	2083	2013	2881
56	1834	2764	2231	2156	3086
58	1960	2953	2383	2304	3297
60	2089	3147	2540	2455	3514
62	2221	3347	2701	2611	3737
64	2357	3551	2867	2771	3965
66	2496	3761	3036	2935	4200
68	2639	3976	3209	3102	4440
70	2785	4196	3387	3274	4685
73	3010	4535	3660	3538	5064
76	3242	4884	3942	3811	5454
78	3400	5123	4135	3997	5720
81	3643	5490	4431	4283	6130
84	3893	5866	4735	4577	6550
87	4149	6252	5046	4878	6981
90	4412	6647	5365	5187	7422
92	4590	6916	5582	5396	7722
95	4862	7326	5913	5716	8180
97	5047	7604	6138	5933	8490
100	5328	8028	6480	6264	8964
102	5519	8315	6712	6488	9285
105	5809	8753	7065	6829	9773
107	6005	9048	7304	7060	10103
111	6404	9650	7789	7529	10775
114	6709	10109	8159	7887	11287
117	7018	10574	8535	8251	11807
120	7331	11047	8916	8619	12334
122	7542	11365	9173	8868	12690
124	7755	11686	9432	9118	13048
127	8078	12171	9824	9497	13591
130	8404	12663	10221	9880	14139
132	8623	12993	10488	10138	14508
137	9178	13829	11162	10790	15441
142	9741	14677	11847	11452	16388
147	10311	15536	12540	12122	17347
152	10887	16405	13241	12800	18317
157	11469	17282	13949	13484	19297
162	12056	18166	14663	14174	20284
165	12410	18699	15094	14590	20879
168	12765	19234	15525	15008	21477
171	13121	19771	15959	15427	22076
175	13598	20488	16538	15986	22877
178	13955	21027	16972	16407	23479
180	14194	21387	17263	16687	23880
182	14433	21746	17553	16968	24282
185	14791	22286	17989	17389	24884
188	15149	22825	18424	17810	25487
191	15506	23364	18859	18231	26089
194	15864	23903	19294	18651	26690
197	16220	24440	19727	19070	27290
200	16576	24976	20160	19488	27888
205	17166	25866	20878	20182	28881
210	17753	26749	21591	20872	29868

R4			R4S			R5		
拉力负荷 kN	破断负荷 kN		拉力负荷 kN	破断负荷 kN		拉力负荷 kN	破断负荷 kN	
有档	无档		有档	无档		有档	无档	
612	544	776	680	604	861	711	632	907
707	629	897	786	697	995	822	730	1048
809	719	1026	899	797	1138	940	835	1198
917	815	1163	1018	904	1290	1065	946	1358
1031	916	1308	1145	1016	1451	1198	1064	1527
1151	1023	1460	1279	1135	1620	1338	1188	1705
1278	1136	1621	1420	1260	1798	1485	1319	1893
1410	1253	1789	1567	1390	1985	1639	1456	2089
1548	1376	1964	1721	1527	2179	1799	1599	2294
1693	1505	2147	1881	1669	2382	1967	1748	2508
1843	1638	2338	2048	1817	2594	2141	1903	2730
1999	1777	2535	2221	1971	2813	2322	2063	2961
2160	1920	2740	2400	2130	3040	2510	2230	3200
2327	2068	2952	2585	2295	3275	2704	2402	3447
2499	2222	3170	2777	2465	3517	2904	2580	3703
2677	2380	3396	2974	2640	3768	3111	2764	3966
2860	2542	3628	3178	2820	4025	3323	2953	4237
3048	2710	3867	3387	3006	4290	3542	3147	4516
3242	2881	4112	3602	3196	4562	3767	3347	4802
3440	3058	4364	3822	3392	4841	3997	3551	5096
3643	3238	4621	4048	3593	5127	4233	3761	5397
3851	3423	4885	4279	3798	5420	4475	3976	5706
4064	3613	5156	4516	4008	5720	4723	4196	6021
4392	3904	5572	4881	4331	6182	5104	4535	6507
4731	4205	6001	5257	4665	6658	5498	4884	7009
4962	4411	6295	5514	4893	6984	5766	5123	7351
5317	4726	6745	5908	5243	7484	6179	5490	7877
5682	5051	7208	6313	5603	7997	6602	5866	8418
6056	5383	7682	6729	5972	8523	7037	6252	8971
6439	5723	8167	7154	6349	9062	7482	6647	9539
6699	5954	8497	7443	6606	9428	7784	6916	9924
7096	6307	9001	7884	6997	9987	8246	7326	10512
7365	6547	9343	8184	7263	10366	8559	7604	10911
7776	6912	9864	8640	7668	10944	9036	8028	11520
8054	7159	10217	8949	7942	11336	9359	8315	11932
8478	7536	10754	9420	8360	11932	9851	8753	12560
8764	7790	11118	9738	8643	12335	10184	9048	12984
9347	8308	11856	10385	9217	13154	10861	9650	13847
9791	8703	12420	10879	9655	13780	11378	10109	14506
10242	9104	12993	11380	10100	14415	11902	10574	15174
10700	9511	13573	11889	10551	15059	12434	11047	15852
11008	9785	13964	12231	10855	15493	12792	11365	16308
11319	10061	14358	12576	11161	15930	13153	11686	16768
11789	10479	14955	13099	11626	16592	13700	12171	17466
12265	10903	15559	13628	12095	17262	14253	12663	18171
12585	11187	15965	13984	12411	17713	14625	12993	18645
13395	11906	16992	14883	13209	18852	15565	13829	19844
14216	12637	18033	15796	14019	20008	16520	14677	21061
15048	13376	19089	16720	14839	21179	17487	15536	22294
15890	14124	20156	17655	15669	22363	18464	16405	23540
16739	14879	21234	18599	16507	23559	19452	17282	24799
17596	15641	22320	19551	17351	24764	20447	18166	26068
18112	16100	22976	20125	17861	25491	21047	18699	26833
18631	16560	23633	20701	18372	26221	21649	19234	27601
19150	17022	24292	21278	18884	26952	22253	19771	28371
19845	17640	25174	22050	19569	27930	23061	20488	29400
20367	18104	25836	22630	20084	28665	23667	21027	30173
20715	18414	26278	23017	20428	29155	24072	21387	30689
21064	18723	26720	23404	20771	29645	24477	21746	31205
21586	19188	27383	23985	21287	30381	25084	22286	31980
22109	19652	28046	24565	21802	31116	25691	22825	32754
22631	20116	28708	25146	22317	31851	26298	23364	33527
23152	20580	29369	25725	22831	32585	26904	23903	34300
23673	21043	30029	26303	23344	33317	27509	24440	35071
24192	21504	30688	26880	23856	34048	28112	24976	35840
25054	22270	31781	27837	24706	35261	29113	25866	37116
25910	23031	32867	28788	25550	36465	30108	26749	38385

MESSAGE FROM THE CHAIRMAN

董事长致辞



目前，全球迎来百年未有之大变局。在过往几年经济低迷，全球各行业饱受打击的环境中，中运锚链以旺盛的生命力，逐梦前行，向阳而生，创造了锚链系泊链制造行业的诸多奇迹。

致力打造船舶和海洋平台的生命安全索，成为全球锚链和系泊系统的行业领导者是中运锚链的宏伟愿景。在各界朋友的大力支持下，自成立以来，中运锚链的船用锚链、海洋系泊链年销量连年涨超50%，目前在全球市场稳列第二。

中运锚链的逆势生长，首先得益于顺势而为，因受运力更新、IMO 国际航运新规生效、船舶环保要求强化等各方面利好因素影响，未来十余年将是船舶制造及其配套行业新一轮上升周期；同时全球浮式风力发电的崛起，为公司系泊链市场拓展带来广大前景。其次得益于理念驱动，以客户为中心，追求客户利益最大化、助力客户降本增效的是中运的核心经营理念。我们将此理念竭诚落实在行动上，战略、制度、流程、研发、生产、销售均围绕以客户为中心为核心，也因此得到了大量头部客户认可。

中运锚链作为全球领先的一站式船舶、海洋工程系泊系统解决方案供应商，我们将坚持加大研发投入，通过不断创新，向行业提供一流的产品和解决方案。中运锚链愿持续以开放的态度，与客户、供应商、伙伴、员工共享机遇，共创未来，也期待更多的同频人与我们携手同行！

Presently the world is undergoing profound changes unseen in recent century. In the past a few years, many industries have been hit by economic setback, however, with vitality and ambition, CSAC grew rapidly and created many miracles in anchor chain and mooring chain manufacturing industry.

We have a mission of creating lifeline for ships and offshore platforms, becoming a global industry leader in anchor chain and mooring systems. With the valuable support from all CSAC's partners, until now, CSAC's annual sales volume of chains has increased by more than 50% year-on-year continuously, now we rank second in the world.

There are 2 factors which allows CSAC achieves such impressive growth. Firstly, the aging of ships together with the new IMO international shipping regulations officially took effect, the next ten years will be a new round of rising cycle of shipbuilding and supporting industries. Also, the industry of floating wind power farm around the world are rising rapidly. Both will bring great prospects for the CSAC's market expansion. Secondly, CSAC is the true believer of the customer-centric business concept and we are therefore rewarded by that. CSAC builds up our strategy, process, production, R&D and marketing around the aim of maximizing customer interests.

As the world's leading one-stop supplier of chains and mooring system for ship and ocean engineering platforms, we will insist on providing first-class products and solutions into the industry through continuous innovation. CSAC is willing to continue to share our opportunities with customers, suppliers, partners and employees with an open attitude, to create a better future all together. CSAC is looking forward to meet and work with you hand in hand!

董事长
Chairman

客户至上

助力客户降本增效、勇攀高峰

Customer first

Help customers reduce costs and achieve for the best

人才为本

与专业奋进的团队共赢共成长

Talent-oriented

Win-win and grow together with a professional and passionate team

研发为矛

产品与服务创新是中运的核心价值

R & D is the core

Product and service innovation is the core value of CSAC



经营
理念

CSAC
中运锚链

Business
Philosophy

道德为盾

以品质与胸怀为中运人一贯追求

Morality as a shield

Ethics and integrity are the pursuit of CSACers

灵动为形

构建企业高速反应力与组织协调力

Being smart

Constructing high-speed reaction and organizational coordination

质量为基

严格的品质要求是中运的生存底线

Quality is basis

Strict quality requirements are the lifeline of CSAC